

[Home](#) | [News](#) | [Environmental](#) | [Products](#) | [Services](#) | [Contact](#) | [Careers](#) | [Media](#)

GreaseShield® GS1850-ECO-S-PF

Approvals

ASME A112.14.3-2000 Testing of Grease Interceptors, ASME A112.14.4-2001 Grease Removal Devices, CSA B481.0-2012 Testing of Grease Interceptors, CSA B481.1-2012 Testing and Rating of Grease Interceptors using Lard, CSA B481.5-2012 Testing and Rating of Grease Interceptors Equipped with a Grease Removal Device & PDI G 101. UL Approved (File No: E361705). Machinery Directive 2006/42/EC and EMC directive 2004/108/EC.

Flow Rates

Passive PDI = 7GPM/26.5 L/m

Pro Active= 1.8 L/S

Application

Pot Wash & Pre Rinse Double Bowl Sinks. Do not exceed rated in-flows.

Functions & Features

- PreFilter
- Recirculation - Surface of water spray function to enhance FOG removal and clean outlet weir area.
- Service Function - With Service hose. Press and hold button for 5 seconds to operate. Ensure safe disposal. Refer to service manual.
- Water Connection - Water Solenoid WRAS approved (or similar approval)
- No Potable Water Connection
- No CIP Bar

Parts Supplied as Standard

- Vortex Flow Controller - Fitted as standard
- Running Trap - 54mm Running trap fitted on outlet as standard
- FlexiPlumb :- 34mm 90° bend (0635P02-34), 34mm 90° (0635P02-34)
- Blanking Cap (0635P10)
- Key (0509P86)
- ¾" Braided Hose For Hot Water (0214P15)
- Plumbing Pack see note

Default Program

(V1.0 ECO)

Start 7.00 Am, Stop 02.30 Am. FOG roller pulsing 5 Min On 5 min off. Recirculation - 10 seconds on, every 90 seconds in each 5 min cycle. Service Function - Manual button at the rear of machine is for service in conjunction with service grey hose. Ensure approved container for accepting the effluent discharge is in place. Mains lead per country.

Installation Kit

- Stainless Steel 304 hygiene and service access adjustable stand essential for installation.
- IP56 Socket. Best Practice Management and Do's and Don'ts, both laminated to be displayed on site.
- Daily Maintenance Logbook (12 months)
- Sampling Point

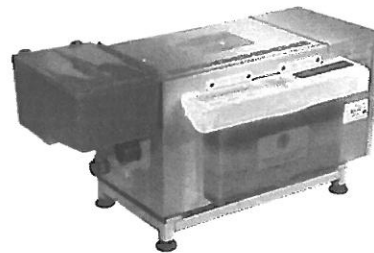
Ratings

EU

- Voltage: 240 Volts
- Frequency: 50Hz
- Current: 0.75Amps

US

- Voltage: 120 Volts
- Frequency: 60Hz
- Current: 1.5Amps



Note

RE: Plumbing Pack Water Spray gun and hose for connection to WRAS approved (or similar approval) connection (or equivalent) for service.

Labelling

- Voltage per country
- Flow Rate per country
- Labels per country
- Labels per Distributor

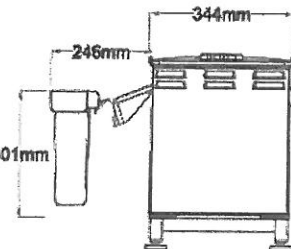
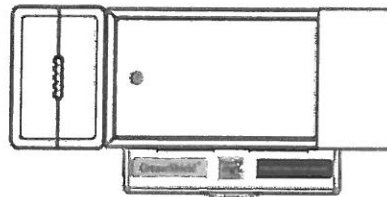
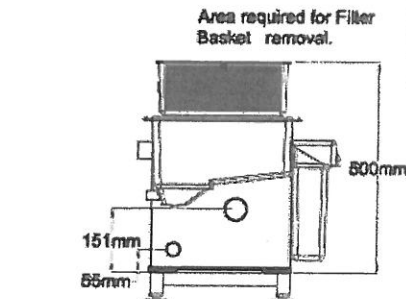
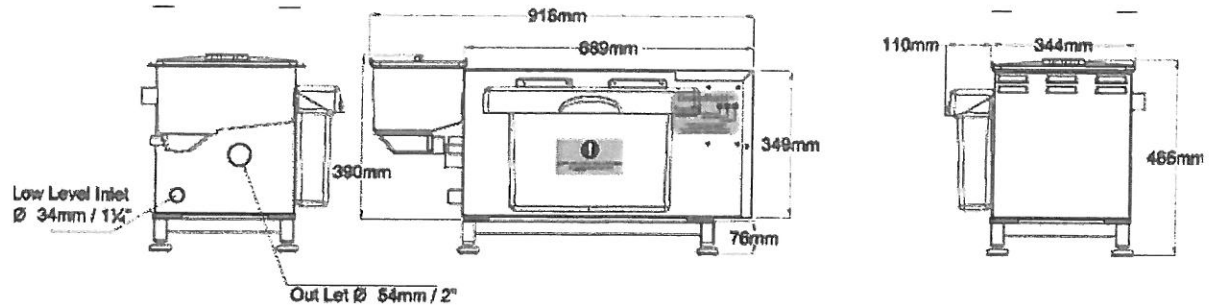
Average Power Consumption /Hour 15.87 Watts

Notes

- All FlexiPlumb to be supplied with jubilee clip fasteners
- VFC= Vortex Flow Controller

UK Installs

AQUACHECK 15DN (WRAS Certified) or equivalent double check valve to be fitted to water supply on ALL GreaseShield® (STD Range Models) to conform with WRAS back flow prevention.



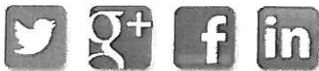
**AUTODESK
AUTOCAD** [Download GS1850-ECO-S-PF AutoCAD File](#)

**AUTODESK
REVIT** [Download GS1850-ECO-S-PF Revit File](#)

GreaseShield®
the complete range

- [GreaseShield®1000](#)
- [GreaseShield®1000-PF](#)
- [GreaseShield®1000-F](#)
- [GreaseShield®1000 AST](#)
- [GreaseShield®1000 AST-PF](#)
- [GreaseShield®1000 AST-F](#)
- [GreaseShield®1000-LL](#)
- [GreaseShield®1000-LL-PF](#)
- [GreaseShield®1000-LL-F](#)
- [GreaseShield®1850](#)
- [GreaseShield®1850-PF](#)
- [GreaseShield®1850-F](#)
- [GreaseShield®1850 AST](#)
- [GreaseShield®1850 AST-PF](#)
- [GreaseShield®1850 AST-F](#)
- [GreaseShield®1850-LL](#)
- [GreaseShield®1850-LL-PF](#)
- [GreaseShield®1850-LL-F](#)
- [GreaseShield®1850-ECO](#)
- [GreaseShield®1850-ECO-PF](#)
- [GreaseShield®1850-ECO-F](#)
- [GreaseShield®1850 AST-ECO](#)
- [GreaseShield®1850 AST-ECO-PF](#)
- [GreaseShield®1850 AST-ECO-F](#)
- [GreaseShield®1850-ECO-S](#)
- [GreaseShield®1850-ECO-S-PF](#)
- [GreaseShield®1850-ECO-S-F](#)
- [GreaseShield®1850 AST-WOK](#)
- [GreaseShield®1850 AST-WOK-PF](#)

Follow EPAS on Social Media



[Home](#) | [News](#) | [Environmental](#) | [Products](#) | [Services](#) | [Contact](#) | [Careers](#) | [Media](#)

5 Shepherd's Drive, Carnbane Industrial Estate, Newry, Co. Down N. Ireland BT35 6JQ

Tel: +44 (0) 28 3083 3081 Fax: +44 (0) 28 30257556 Email: info@EPAS-ltd.com www.EPAS-Ltd.com