

**CHIUSINO CIRCOLARE**

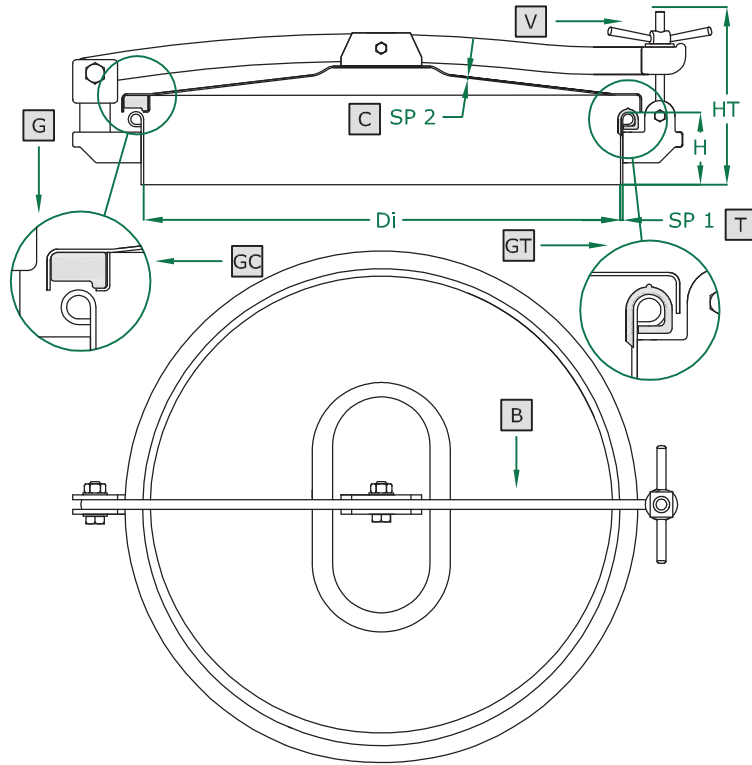
- ROUND manhole cover
- Trappe RONDE
- Tapa CIRCULAR
- RUNDE Klapptür
- КРУГЛАЯ крышка люка

**930 SERIE**

150/220/300/400/500/600 DN

Rev 0

|                          |    |
|--------------------------|----|
| COPERCHIO<br>COVER       | C  |
| TELAIO<br>FRAME          | T  |
| BRACCIO<br>ARM           | B  |
| VOLANTINO<br>HANDWHEEL   | V  |
| G. COPERCHIO<br>G. COVER | GC |
| G. TELAIO<br>G. FRAME    | GT |



**GUARNIZIONE TELAIO / GASKET ON FRAME**

| ART | DN  | Di  | SP2 | HT (standard) | BAR max: (standard) | COVER type: | GASKET code: | KG (standard) |
|-----|-----|-----|-----|---------------|---------------------|-------------|--------------|---------------|
| 929 | 220 | 220 | 1,0 | 150           | 0,04                | CA          | 120 702      | 3,5           |
| 930 | 300 | 295 | 1,2 | 155           | 0,03                | CA          | 120 703      | 4,7           |
| 932 | 400 | 395 | 1,5 | 160           | 0,02                | CA          | 120 704      | 6,2           |
| 934 | 500 | 500 | 2,0 | 165           | 0,02                | CA          | 120 705      | 7,8           |
| 935 | 600 | 600 | 2,0 | 170           | 0,01                | CA          | 120 706      | 9,5           |

**GUARNIZIONE COPERCHIO / GASKET ON COVER**

| ART  | DN  | Di  | SP2 | HT (standard) | BAR max: (standard) | COVER type: | GASKET code: | KG (standard) |
|------|-----|-----|-----|---------------|---------------------|-------------|--------------|---------------|
| 928B | 150 | 150 | 1,0 | 140           | 0,04                | CA          | 120 801      | 2,8           |
| 929B | 220 | 220 | 1,0 | 145           | 0,04                | CA          | 120 802      | 3,5           |
| 930B | 300 | 295 | 1,5 | 150           | 0,03                | CA          | 120 803      | 4,7           |
| 932B | 400 | 395 | 1,5 | 155           | 0,02                | CA          | 120 804      | 6,2           |
| 934B | 500 | 500 | 2,0 | 160           | 0,02                | CA          | 120 805      | 7,8           |
| 935B | 600 | 600 | 2,0 | 165           | 0,01                | CA          | 120 806      | 9,5           |

|             | STANDARD           | OPTIONAL                         |                      |                     |                      |                     |
|-------------|--------------------|----------------------------------|----------------------|---------------------|----------------------|---------------------|
| H X SP1     | 60 X 2             | 100 X 2                          | 150 X 2              | 200 X 2             | 250 X 2              | ...                 |
| TELAIO      | SAT                | MPL                              |                      | BA                  |                      | FIO                 |
| GUARNIZIONE | PARA               | EPDM                             | NEOPRENE             | NBR                 | SILICONE             | VITON               |
| VOLANTINO   | 125 001 V<br>NYLON | 125 021 V<br>NYLON               | 125 022<br>CHROME P. | 125 023<br>S. STEEL | 125 024<br>ALUMINIUM | 125 031<br>S. STEEL |
| FORO        | NO                 | 33                               | 42                   | 48                  | 50                   | ...                 |
| VALVOLA     | NO                 | VAI ALLA PAG. Z5 / GO TO PAGE Z5 |                      |                     |                      |                     |