

CHIUSINO CIRCOLARE

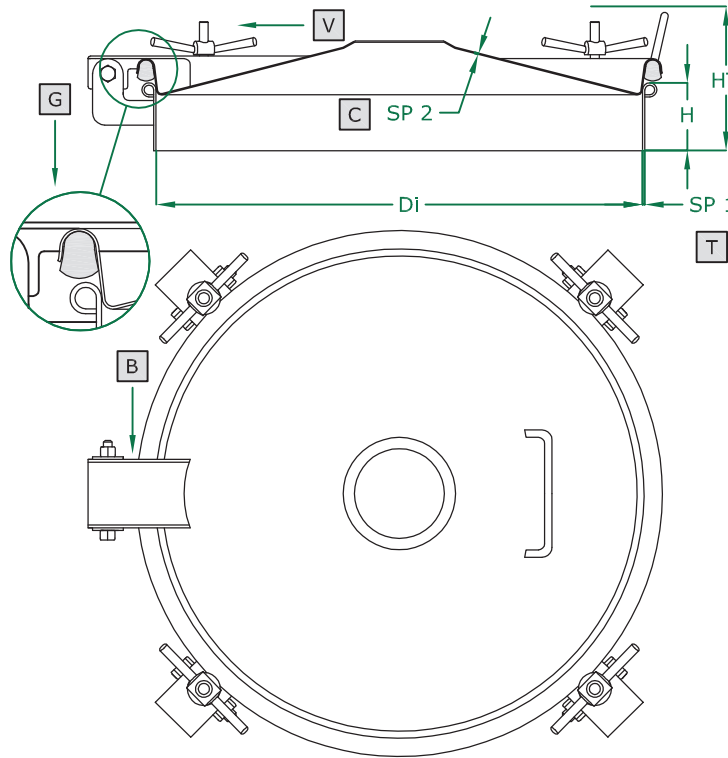
- ROUND manhole cover
- Trappe RONDE
- Tapa CIRCULAR
- RUNDE Klapptür
- КРУГЛАЯ крышка люка

540 SERIE

200/300/380/400/420/500/600 DN

Rev 0

| | |
|------------------------|----------|
| COPERCHIO COVER | C |
| TELAIO FRAME | T |
| BRACCIO ARM | B |
| VOLANTINO HANDWHEEL | V |
| GUARNIZIONE GASKET | G |



| | STANDARD | | OPTIONAL | | | |
|--------------------|--------------------|----------------------------------|----------------------|---------------------|----------------------|---------------------|
| H X SP1 | 60 X 2 | 100 X 2 | 150 X 2 | 200 X 2 | 250 X 2 | ... |
| TELAIO | SAT | MPL | | BA | FIO | |
| GUARNIZIONE | PARA | EPDM | NEOPRENE | NBR | SILICONE | VITON |
| VOLANTINO | 125 001 V NYLON | 125 021 V NYLON | 125 022 CHROME P. | 125 023 S. STEEL | 125 024 ALUMINIUM | 125 031 S. STEEL |
| FORO | NO | 33 | 42 | 48 | 50 | ... |
| VALVOLA | NO | VAI ALLA PAG. Z5 / GO TO PAGE Z5 | | | | |

| ART | DN | Di | SP2 | V (nr) | HT (standard) | BAR max: (standard) | COVER type: | GASKET code: | KG (standard) |
|-----|-----|-----|-----|--------|---------------|---------------------|-------------|--------------|---------------|
| 539 | 200 | 195 | 1,0 | 3 | 120 | 0,2 | CL | 120 619 | 3,8 |
| 540 | 300 | 295 | 1,2 | 4 | 120 | 0,2 | CL | 120 610 | 5,6 |
| 541 | 380 | 375 | 1,5 | 4 | 120 | 0,2 | CN | 120 611 | 7,0 |
| 542 | 400 | 395 | 1,5 | 4 | 125 | 0,2 | CL | 120 617 | 7,5 |
| 543 | 420 | 415 | 1,5 | 4 | 125 | 0,2 | CN | 120 612 | 11,0 |
| 544 | 500 | 500 | 2,0 | 6 | 125 | 0,2 | CL | 120 616 | 13,0 |
| 545 | 600 | 600 | 2,0 | 6 | 130 | 0,2 | CL | 120 607 | 17,0 |